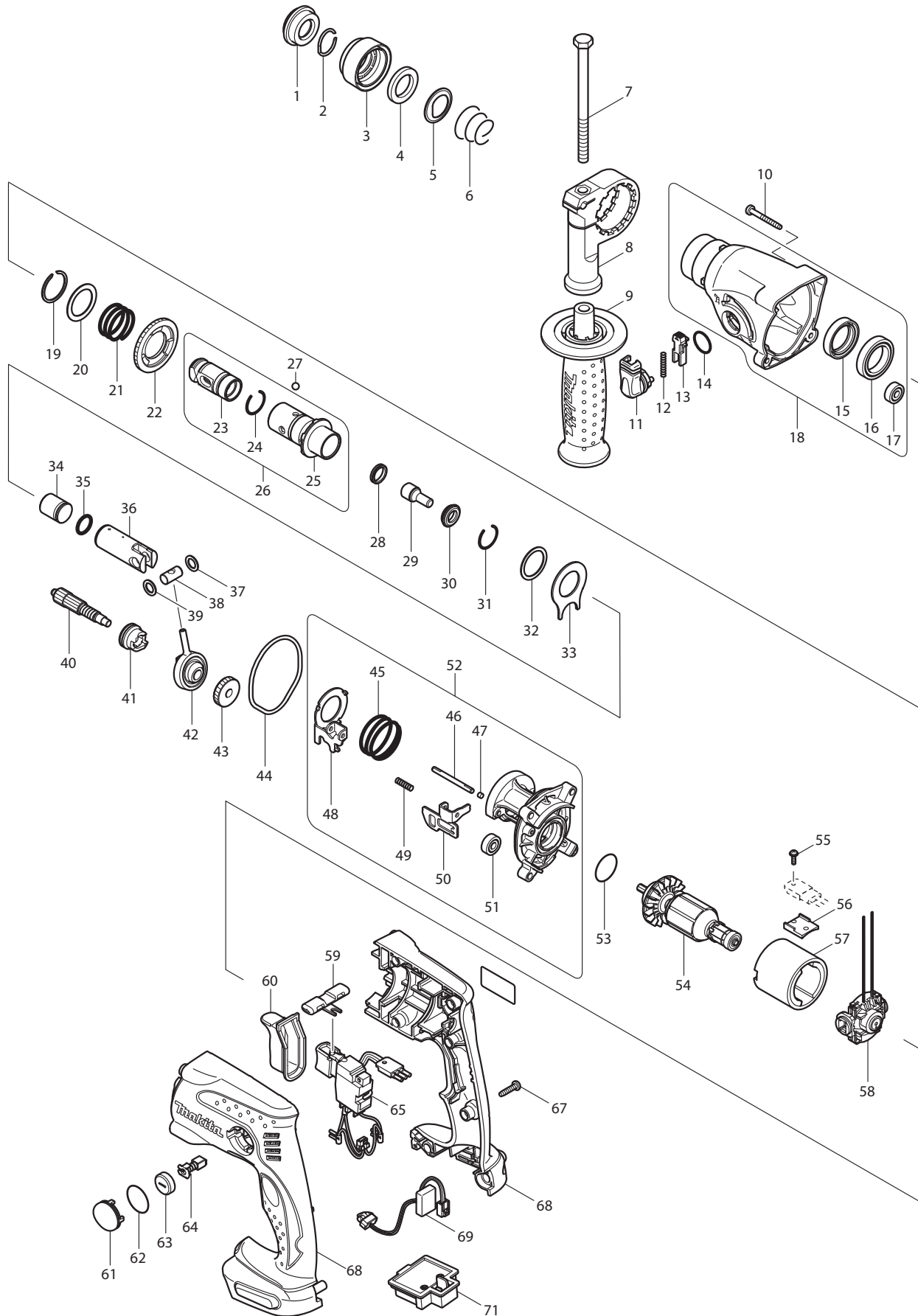




01 - 2010  
BHR162 / BHR162Z  
14.4V 5/8" ROTARY HAMMER KIT



Item No	Type	Ref	Ref F Part No	Description	Qty	Unit
1			286263-4	CAP 35	1	PC.
2			233940-9	RING SPRING 19	1	PC.
3			419220-9	CHUCK COVER	1	PC.
4			257241-1	RING 21	1	PC.
5			345187-4	GUIDE WASHER	1	PC.
6			233916-6	CONICAL COMP. SPRING 21-29	1	PC.
7			921923-8	HEX. BOLT M8X120	1	PC.
8			417911-6	GRIP BASE	1	PC.
9			154842-5	GRIP 36 COMPLETE	1	PC.
	INC.	42-5	931402-8	HEX. NUT M8	1	PC.
10			266053-1	TAPPING SCREW 4X35	4	PC.
11			162242-5	CHANGE LEVER COMPLETE	1	PC.
12			233459-8	COMPRESSION SPRING 3	1	PC.
13			419192-8	LOCK BUTTON	1	PC.
14			213278-8	O RING 17	1	PC.
15			213956-0	OIL SEAL 25	1	PC.
16			211375-4	BALL BEARING 6805LLB	1	PC.
17			211012-0	BALL BEARING 606ZZ	1	PC.
18			154840-9	GEAR HOUSING COMPLETE	1	PC.
	INC.			Item No. 15-17		
19			961135-1	RETAINING(EXT) WR-25	1	PC.
20			267304-5	FLAT WASHER 25	1	PC.
21			233457-2	COMPRESSION SPRING 25	1	PC.
22			331707-0	SPUR GEAR 46	1	PC.
26			154843-3	TOOL HOLDER COMPLETE	1	PC.
27			216022-2	STEEL BALL 7.0	1	PC.
28			213183-9	X RING 13	1	PC.
29			324611-0	IMPACT BOLT	1	PC.
30			257275-4	RING 11	1	PC.
31			233942-5	RING SPRING 22	1	PC.
32			267175-0	FLAT WASHER 24	1	PC.
33			345681-6	JOINT PLATE	1	PC.
34			324613-6	STRIKER	1	PC.
35			213182-1	O RING 14	1	PC.
36			331708-8	PISTON CYLINDER	1	PC.
37			267130-2	FLAT WASHER 9	1	PC.
38			324612-8	PISTON JOINT	1	PC.
40			227152-4	SPUR GEAR 10	1	PC.
41			331706-2	CLUTCH CAM	1	PC.
42			219019-0	SWASH BEARING 9	1	PC.
43			226623-8	HELICAL GEAR 22	1	PC.
44			423346-1	SEAL RING	1	PC.
45			233458-0	COMPRESSION SPRING 32	1	PC.
46			268147-8	PIN 4	1	PC.
47			443123-5	FELT 4X3	1	PC.
48			345645-0	CHANGE PLATE	1	PC.
49			233460-3	COMPRESSION SPRING 3	1	PC.
50			345654-9	STOPPER PLATE	1	PC.
51			211012-0	BALL BEARING 606ZZ	1	PC.
52			154841-7	INNER HOUSING COMPLETE	1	PC.
	INC.			Item No. 45-51		
53			213953-6	O RING 24	1	PC.
54			619182-3	ARMATURE	1	PC.

Item No	Type	Ref	Ref F Part No	Description	Qty	Unit
55	1		266282-6	* TAPPING SCREW ST3X10	1	PC.
	2		911011-9	* PAN HEAD SCREW M3X10	1	PC.
56	1		689136-4	* FET SPACER (TYPE 1 ONLY)	1	PC.
57			638446-6	YOKE UNIT	1	PC.
58			638445-8	ENDBELL COMPLETE	1	PC.
59			419457-8	F/R CHANGE LEVER	1	PC.
60			421957-6	SWITCH COVER	1	PC.
61			419456-0	HOLDER CAP COVER	2	PC.
62			213953-6	O RING 24	2	PC.
63			643929-3	BRUSH HOLDER CAP	2	PC.
64	1		191971-3	CARBON BRUSH CB-430, 2PCS/SET, W/O ORIGIN - N/L/A	1	SET
	2		195018-5	CARBON BRUSH CB-430, 2PCS/SET, W/ ORIGIN	1	SET
65	1		650578-9	* SWITCH TG553FSB-6	1	PC.
	2		638879-5	* SWITCH UNIT	1	PC.
67			265995-6	TAPPING SCREW 4X18	7	PC.
68	1		188098-8	* HOUSING SET	1	SET
	2		188233-8	* HOUSING SET	1	SET
	3		187379-7	* HOUSING SET	1	SET
69			631711-2	LIGHT CUIRCUIT	1	PC.
71	1		643811-6	* TERMINAL	1	PC.
	2		643867-9	* TERMINAL	1	PC.
E01			689098-6	* HEAT SINK (Added)	1	PC.

#### **ACCESSORIES**

- See catalogue or visit [www.makita.ca](http://www.makita.ca) for optional accessory -

A01			415486-9	DEPTH GAUGE	1	PC.
A02	1		DC18SC	CHARGER DC18SC	1	PC.
	2		DC18RA	CHARGER DC18RA	1	PC.
	3		DC18RC	CHARGER DC18RC	1	PC.
A03			194066-1	14.4V LI-ION BATTERY BL1430	1	PC.
A04	1		824863-8	PLASTIC CARRYING CASE(OLD# 842765-8 - N/L/A)	1	PC.
		INC. 63-8	324667-3	SHAFT	1	PC.
		INC. 63-8	413098-2	PLATE	4	PC.
		INC. 63-8	417724-5	LATCH	2	PC.
		INC. 63-8	419215-2A	PLASTIC CASE LID, TAB TYPE	1	PC.
		INC. 63-8	419216-0	HANDLE	1	PC.
	2		141074-3	PLASTIC CARRY CASE COMPLETE	1	PC.
		INC. 63-8	324667-3	SHAFT	1	PC.
		INC. 63-8	413098-2	PLATE	4	PC.
		INC. 63-8	417724-5	LATCH	2	PC.
		INC. 63-8	419215-2A	PLASTIC CASE LID, TAB TYPE	1	PC.
		INC. 63-8	419216-0	HANDLE	1	PC.
A05			450128-8	BATTERY COVER	1	PC.
A06			122574-2	1/2" DRILL CHUCK ASS'Y(W/SDS-PLUS CHUCK ADAPTOR)	1	PC.
A07			122823-7	1/2" KEYLESS DRILL CHUCK ATTACHMENT	1	PC.
A08			763432-9	CHUCK KEY S13 (F/ Item No. A06, #122574-2 Drill Chuck)	1	PC.
A09	1		188580-7	SERVICE HAMMER KIT	1	SET
A09	2		195208-0	SERVICE HAMMER KIT	1	SET
		INC. 18-5	183477-5	MAKITA GREASE RA NO.1, 30G	1	PC.
		INC.	195018-5	CARBON BRUSH CB-430, 2PCS/SET, W/ ORIGIN	1	SET
		INC. 18-5	213182-1	O RING 14	1	PC.
		INC. 18-5	213183-9	X RING 13	1	PC.
		INC. 18-5	233942-5	RING SPRING 22	1	PC.
		INC. 18-5	286263-4	CAP 35	1	PC.
		INC. 18-5	423346-1	SEAL RING	1	PC.

Item No	Type	Ref	Ref F Part No	Description	Qty	Unit
A10			194581-5	GRIP BASE SET	1	PC.
	INC.		122810-6	SPACER 18 ASSY	1	PC.
	INC.		450120-4	GRIP BASE 15	1	PC.
	INC.		921919-9	HEX BOLT M8X10	1	PC.
A11			194580-7	DUSTCUP SET	1	PC.

**SERVICE CHANGES**

**1. Changes on Switch, Terminal and Housing Set (Battery Protection Circuit)**

(T/I# 77351)

(T/I# 94195)

Item No.	Description	Type 1	Type 2	Type 3
55	Screw		266282-6	911011-9
56	FET Spacer		689136-4	-----
65	Switch		650578-9	638879-5
71	Terminal		643811-5	643867-9
68	Housing Set	188098-8	188233-8	187480-8
E01	Heat Sink	---	---	689098-6

Above parts are completely interchangeable as a set.

**Service Note:**

- Use new parts (TYPE 3) for repair of the model manufactured on or after January 2012 with using Yellow lead wire between Switch and Terminal.
- Use current parts (TYPE 1-2) for repair of the model manufactured before January 2012 without using Yellow lead wire between Switch and Terminal.

**\*\* See Technical Information #94195 for Wiring Diagram Change**